

@ Perkins

400 Series Compact Industrial and Construction Power **403C-15** 25.1 kW / 33.7 bhp

The 400 Series compact engine family is a significant evolution of the very successful 100 Series. It has been developed in anticipation of the future needs of construction, materials handling, agricultural/turf and compressor markets, becoming the latest class-leading diesel range from Perkins.

Built to the most demanding standards, the 400 Series engines meet all the requirements of EC Stage 2 and USA EPA Tier 2 off-highway emissions legislation for 2004 and bring significant improvements over their predecessors.

The 403C-15 is a very quiet 1.5 litre unit delivering improved performance and reduced operating costs in a small, efficient package ideal for a range of off-highway applications

Improved performance

The 403C-15 provides up to 7% increase over its predecessor in power and more than 10% in torque. In addition, torque back-up is now up to 20%, providing more responsive performance. Economy is improved by a 5% improvement in specific fuel consumption.

The engine is more versatile, with continuous operating angles increased from 25° to 35°

Cleaner and quieter

In addition to its emissions performance, at full load the 403C-15 shows a reduction in smoke levels of 2 Bosch units.

A 3.3 dB(A) improvement in bare engine noise is enhanced by an average 2dB(A) reduction at no load.

Durable power

Product design and process improvements have been implemented to enhance both engine reliability and durability.

A new governor, valve seat inserts across the range and new compliance testing have been introduced to deliver reliability and 6,000 hours durability.

Yet more compact

Engine dimensions have been reduced from the 403C-15 engine's predecessor, making the package 10% more compact at 0.142 m³.

Coolant temperature of 110 °C allows reduction in radiator size.

Lower operating costs

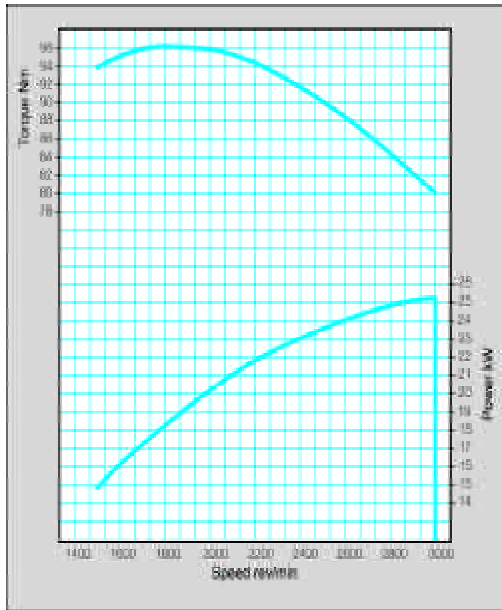
Oil and filter changes are now set at 500 hours as standard.

The standard warranty has been extended to two years to give the operator increased confidence in the product.

Total worldwide service is provided through a network of 4,000 distributors and dealers

Performance Data	Gross Intermittent ISO/TR 14396	Speed (rev/min)	Net Intermittent ISO/TR 14396	Speed (rev/min)
Power Output (kW)	25.1	3000	22.6	3000
Power Output (bhp)	33.7	3000	30.3	3000
Peak Torque (Nm)	96.0	1800	93.0	1800
Peak Torque (lbf ft)	70.6	1800	68.4	1800

400 Series 403C-15



Standard Specification

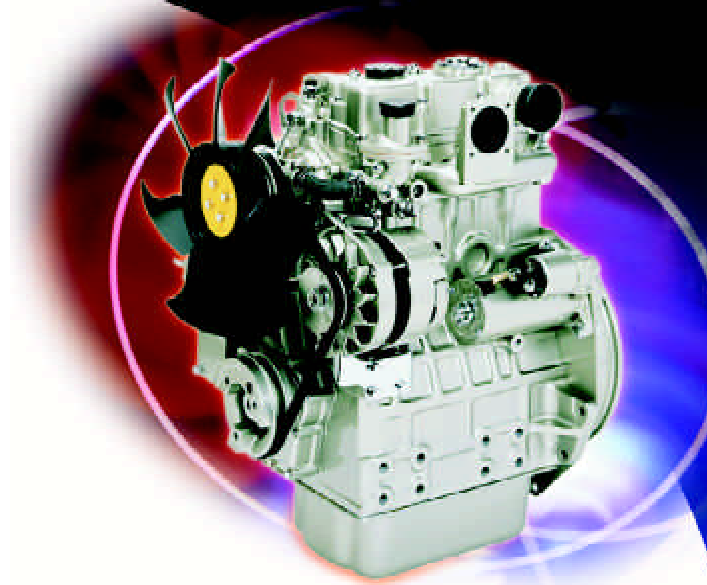
- Cast iron engine block
- Flywheel and flywheel housing
- CTD fuel injection pump
- Spin on fuel filter
- Glow plug starting aid
- Lub oil sump
- Spin on lub oil filter
- Inlet manifold
- Cast iron exhaust manifold – side outlet
- Coolant pump belt driven
- Choice of cooling fans
- Starter motor 12 Volt
- Alternator 12 Volt 55 Amp
- ESOS
- Lub oil pressure switch
- Coolant temperature switch
- Provision for PTOs

@ Perkins

Perkins Engines Company Limited

Peterborough PE1 5NA
United Kingdom
Telephone +44 (0)1733 583000
Fax +44 (0)1733 582240
www.perkins.com

All information in this leaflet is substantially correct at the time of printing but may be changed subsequently by the Company

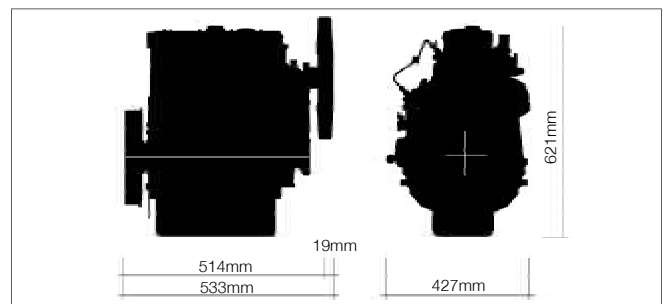


Option Groups

A selection of optional items is available to enable the customer to prepare a specification precisely matched to his needs.

General Data

Bore and stroke	84mm x 90mm
Number of cylinders	3 in-line
Cubic capacity	1.496 litres (91 cu in)
Cycle	4 stroke
Aspiration	Natural
Combustion system	Indirect injection
Compression ratio	22.1:1
Engine rotation	Anticlockwise viewed on flywheel
Governing	All speed mechanical
Cooling system	Pressurised water
Length	533mm (21 in)
Width	427mm (16.8 in)
Height	621 mm (24.5 in)
Dry weight	149 kg (328.5 lb)



Distributed by