

# 3.152 Range

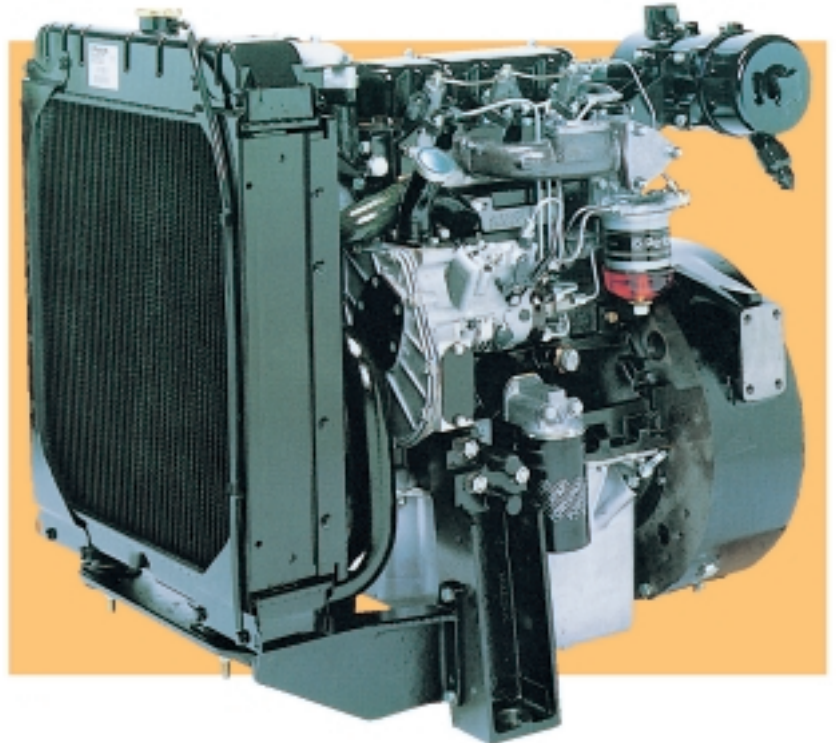
# 3.1524

Diesel Engine –  
ElectropaK

27.0 kWm 1500 rev/min  
30.5 kWm 1800 rev/min

The Perkins 3.152 family of ElectropaK engines are undoubtedly the benchmark heavy duty three cylinder engines. Their reputation for performance and reliability is renowned throughout the power generation industry.

The 3.1524 is a naturally aspirated, 3 cylinder, 2.5 litre engine. It is an upgrade of the highly successful D3.152 ElectropaK giving increased performance but the same premium design features of the D3.152 to provide economic and durable operation, again offering the ideal characteristics for electrical power generation.



## Economic power

- **One side servicing** for reduced service time and cost.
- **Direct injection combustion technology** and rotary fuel injection pump give high performance with excellent fuel economy.

- **Rated speed is changeable** between 1500rpm and 1800rpm allowing standard builds to operate at either 50Hz or 60Hz.

## Reliable, durable power

- **Proven in operation** for over 10 years.

- **Wherever a Perkins' ElectropaK engine** is put into service, it will never be far from the support provided by a global network of 4000 distributors and dealers, all backed by a parts distribution centre giving 24 hour service, 365 days a year.

- **Suitable for operation** in ambient temperatures up to 46°C.
- **Fuelled starting aid** for temperatures down to -20°C.

Engine Speed rev/min	Type of Operation	Typical Generator Output (Net)		Engine Power			
		kVA	kWe	Gross		Net	
				kWm	bhp	kWm	bhp
1500	Prime power	27.5	22.0	25.0	33.5	24.5	33.0
	Standby power	30.0	24.0	27.5	37.0	27.0	36.0
1800	Prime power	30.5	24.5	28.0	37.5	27.5	37.0
	Standby power	34.0	27.0	31.0	42.0	30.5	41.0

All ratings data based on operation under ISO 3046 conditions using typical fan sizes and drive ratios. For operation outside of these conditions please consult your Perkins Engines contact. Performance tolerance quoted by Perkins is ±5%.

Electrical ratings assume a power factor of 0.8 and a generator efficiency of 89%.

### Rating Definitions

**Prime power** – Power available at variable load in lieu of main power network. An overload of 10% is permitted for one hour in every twelve hours of operation.

**Standby power** – Power available at variable load in the event of a main power network failure. No overload is permitted.

## Standard ElectropaK Specification

- Base engine
- Cast iron SAE 3 flywheel housing
- Flywheel
- Rear well aluminium sump
- Mechanical governor – speed control to BS5514 Class A1, ISO 3046-4M3
- Rotary fuel injection pump
- 12V shut off solenoid – energised to run
- Cold start aid
- Spin-on full flow fuel oil filter
- Fuel pre-filter
- Spin-on full flow oil filter
- Thermostat controlled cooling system
- Belt driven water pump
- Fan drive and 15" pusher fan
- Radiator (and piping)
- Fan guards
- Front engine mountings
- 12V engine alternator
- 12V starter motor
- Air filter
- Oil pressure switch
- Coolant temperature switch

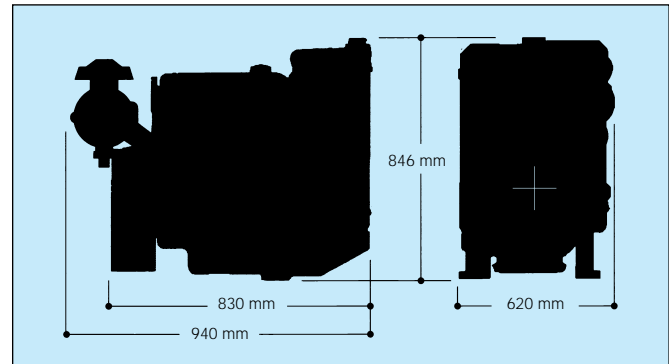
## Optional Equipment

- 24V alternator
- 24V starter motor
- Water temperature gauge and sender
- Heater/starter switch
- Rear engine mountings
- Workshop manual
- Parts book
- User handbook

## ElectropaK General Data

Number of cylinders	3
Cylinder arrangement	Vertical, in-line
Cycle	4-stroke
Induction system	Naturally aspirated
Combustion system	Direct injection
Cooling system	Water-cooled
Displacement	2.5 litres
Bore and stroke	91.4 mm x 127.0 mm
Compression ratio	16.5:1
Direction of rotation	Clockwise, viewed from the front
Firing order	1,2,3
Total lubrication system capacity	6.17 litres
Coolant capacity (inc radiator)	11.85 litres
Total weight (dry)	311 kg
Total weight (wet)	328 kg
Length	940 mm
Width	620 mm
Height	846 mm

Fuel consumption litres/hour (UK gallons/hour)		
Power rating %	1500 rev/min	1800 rev/min
110	8.2 (1.8)	9.6 (2.1)
100	6.9 (1.5)	8.3 (1.8)
75	5.1 (1.1)	6.2 (1.3)
50	3.5 (0.7)	4.5 (1.0)



**Perkins Engines Company Limited**

Peterborough PE1 5NA UK  
 Telephone +44 (0)1733 583000  
 Fax +44 (0)1733 582240  
[www.perkins-engines.com](http://www.perkins-engines.com)

All information in this document is substantially correct at the time of printing but may be altered subsequently by the company.

Distributed by